

# HIKVISION

~~DS-2CE16H7T~~~~2CE16H1T-IT~~  
~~5 MP HD 3MP WDR~~ EXIR Bullet Camera



## Key Features

- 5 ~~Megapixel~~~~megapixel~~ high-performance CMOS
- HD ~~Analog~~~~analog~~ output, up to 5 MP resolution
- 2.8 mm, 3.6 mm, 6 mm ~~fixed focal~~ lens
- True Day/Night
- OSD menu, DNR, Smart IR
- ~~True WDR, up to 120 dB~~
- EXIR technology, up to 20 m IR distance
- IP-67 ~~weatherproof~~
- Up the Coax (HIKVISION-C)



[www.hikvision.com](http://www.hikvision.com)

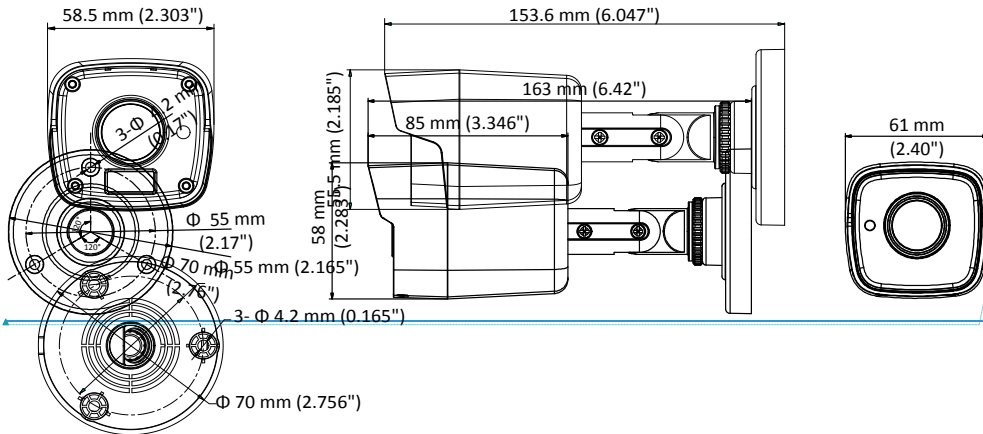
## Specifications

| Camera                   |  |
|--------------------------|--|
| Image Sensor             | 5 MP CMOS <del>image</del> <del>sensor</del>   |
| Resolution               | <del>2642</del> <del>2592</del> (H) × <del>1944</del> <del>56</del> (V)  |
| Min. illumination        | Color: 0.01 Lux @ (F1.2, AGC ON), 0 Lux with IR  |
| Shutter Time             | PAL: 1/25 s to 1/50,000 s<br>NTSC: 1/30 s to 1/50,000 s  |
| Lens                     | 2.8 mm, 3.6 mm, 6 mm fixed <del>focal lens</del> @ <del>F1.2</del>   |
| Horizontal Field of View | 86.5° (2.8 mm), 70.1° (3.6 mm), 46° (6 mm)   |
| Lens Mount               | M12  |
| Day & Night              | ICR  |
| Angle Adjustment         | Pan: 0° to 360°; Tilt: 0° to 90°; Rotate: 0° to 360°   |
| Synchronization          | Internal Synchronization   |
| <del>WDR</del>           | <del>≥120 dB</del>   |
| Frame Rate               | <del>2592</del> <del>642</del> × <del>1944</del> <del>56</del> @ 20fps   |
| HD Video Output          | 1 HD <del>Analog</del> <del>analog</del> output  |
| <del>S/N Ratio</del>     | <del>≥62dB</del>   |
| Menu                     |  |
| AGC                      | Support  |
| D/N Mode                 | Auto/Color/ BW (Black and White)   |
| White Balance            | ATW/MWB  |
| BLC                      | Support  |
| Language                 | <del>English, Chinese</del> <del>English</del>   |
| Functions                | Brightness, Sharpness, <del>Wide Dynamic Range</del> , Digital noise reduction, Mirror, Bad pixel correction, <del>Smart</del> <del>SMART</del> IR   |
| General                  |  |
| Operating Conditions     | -40 °C to 60 °C (-40 °F to 140 °F); Humidity: 90% or less (non-condensation)   |
| Power Supply             | 12 VDC ± 30%   |
| Power Consumption        | Max. 5 W   |
| Protection Level         | IP67   |
| IR Range                 | Up to 20 m   |
| Communication            | Up the coax, Protocol: HIKVISION-C (TVI output)  |
| Dimensions               | <del>58.5</del> mm × <del>55.5</del> <del>61</del> mm × <del>163.5</del> <del>3.6</del> mm (2. <del>283</del> <del>0</del> " × 2. <del>194</del> <del>0</del> " × 6. <del>054</del> <del>2</del> " ) |
| Weight                   | Approx. <del>350</del> <del>70</del> g (0. <del>778</del> <del>2</del> lb.)  |

**Order Models**

DS-2CE16H7T2CE16H1T-IT

**Dimensions**



域代码已更改

**Accessories**



Distributed by



**Headquarters**

No.555 Qianmo Road, Binjiang District,  
Hangzhou 310051, China  
T +86-571-8807-5998  
overseasbusiness@hikvision.com

**Hikvision USA**  
T +1-909-895-0400  
sales.usa@hikvision.com

**Hikvision Europe**  
T +31-23-5542770  
saleseuro@hikvision.com

**Hikvision Middle East**  
T +971-4-8816086  
salesme@hikvision.com

**Hikvision Russia**  
T +7-495-669-67-99  
saleru@hikvision.com

**Hikvision India**  
T +91-22-28469900  
sales@pramahikvision.com

**Hikvision Italy**  
T +39-0438-6902  
info.it@hikvision.com

**Hikvision France**  
T +33(0)1-85-330-444  
info.fr@hikvision.com

**Hikvision Spain**  
T +34-91-737-16-55  
info.es@hikvision.com

**Hikvision Poland**  
T +48-22-460-01-50  
poland@hikvision.com

**Hikvision UK**  
T +44-1628-9021-4  
support.uk@hikvision.com

**Hikvision Singapore**  
T +65-6684-4718  
sg@hikvision.com

**Hikvision Oceania**  
T +61-2-8599-4233  
salesau@hikvision.com

**Hikvision Hong Kong**  
T +852-2151-1761

**Hikvision Canada**  
T +1-909-895-0400  
sales.usa@hikvision.com